



**1330 Series**



**2030 Series**

**Main characteristics**

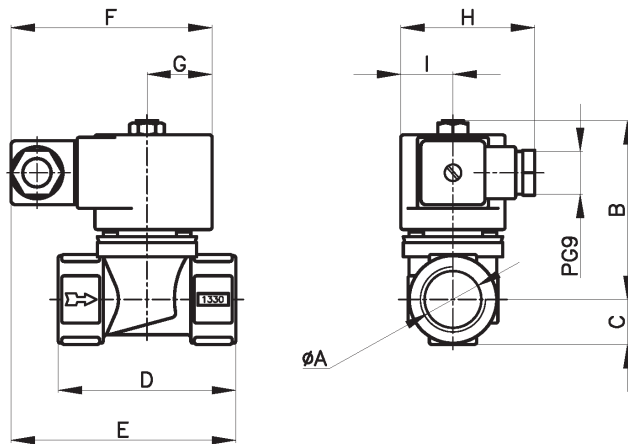
Normally closed and normally open. Direct acting or pilot operated versions. Injected aluminium body. Stainless steel or aluminium die-cast bonnet. BSP or NPT threaded connections. Buna "N" seats and diaphragm. Encapsulated

coil. DIN 43650 Connection. IP65 and NEMA 4 Protection. Quick or slow opening adjustable up to 10 sec. Closure in less than 1 second. Optional microcontact for closed valve verification. Core tube: 304 s.s. Core spring: 302 s.s. Core: 430 F s.s. Shading coil: copper.

**Technical specifications**

| Pipe size ins.   | Orifice size |       | Flow factor |     | Pressure differential |       |         |      | Weight |     | Catalog N°  |
|--|--------------|-------|-------------|-----|-----------------------|-------|---------|------|--------|-----|-------------|
|  | mm           | ins.  | Kv          | Cv  | Minimum               |       | Maximum |      | kg     | Lb  |             |
|  |              |       |             |     | bar                   | psi   | bar     | psi  |        |     |             |
| <b>Normally closed - Direct acting</b>                         |              |       |             |     |                       |       |         |      |        |     |             |
| 1/2  | 8            | 0.315 | 1.7         | 2   | 0                     | 0     | 1       | 15   | 0.5    | 1.1 | 1330LA0     |
| 1/2  | 18           | 0.71  | 3.4         | 4.0 |                       |       | 0.2     | 3    | 0.5    | 1.1 | 1330LA04    |
| 3/4  | 18           | 0.71  | 4.2         | 4.9 |                       |       | 0.2     | 3    | 0.5    | 1.2 | 1330LA06    |
| 1  | 32           | 1.26  | 10          | 1.2 |                       |       | 0.05    | 0.75 | 1      | 2.2 | 2030LA08    |
| 1 1/4  | 32           | 1.26  | 12          | 14  |                       |       | 0.05    | 0.75 | 0.9    | 1.9 | 2030LA10    |
| <b>Normally closed - Pilot operated - Quick open</b>           |              |       |             |     |                       |       |         |      |        |     |             |
| 1  | 26           | 1.02  | 12          | 14  | 0.001                 | 0.015 | 0.2     | 3    | 1      | 2.2 | 1330LA08    |
| 1 1/2  | 48           | 1.89  | 35          | 41  |                       |       |         |      | 1.8    | 4.0 | 2030LA12    |
| 2  | 51           | 2.00  | 43          | 50  |                       |       |         |      | 1.6    | 3.5 | 2030LA16    |
| <b>Normally closed - Pilot operated - Slow opening</b>         |              |       |             |     |                       |       |         |      |        |     |             |
| 1  | 26           | 1.02  | 12          | 14  | 0.001                 | 0.015 | 0.2     | 3    | 1.09   | 2.4 | 1330LA08L   |
| 1 1/2  | 48           | 1.89  | 35          | 41  |                       |       |         |      | 1.88   | 4.2 | 2030LA12L   |
| 2  | 51           | 2.00  | 43          | 50  |                       |       |         |      | 1.66   | 3.7 | 2030LA16L   |
| <b>Normally closed - Pilot operated - Reinforced diaphragm</b> |              |       |             |     |                       |       |         |      |        |     |             |
| 1  | 26           | 1.02  | 12          | 14  | 0.01                  | 0.15  | 2       | 30   | 1      | 2.2 | 1330LAR08   |
| 1 1/2  | 48           | 1.89  | 35          | 41  |                       |       |         |      | 1.8    | 4.0 | 2030LAR12   |
| 2  | 51           | 2.00  | 43          | 50  |                       |       |         |      | 1.6    | 3.5 | 2030LAR16   |
| <b>Normally open - Direct acting</b>                           |              |       |             |     |                       |       |         |      |        |     |             |
| 1/2  | 8            | 0.315 | 1.7         | 2   | 0                     | 0     | 1       | 15   | 0.6    | 1.3 | 1330LA0INA  |
| 1/2  | 18           | 0.71  | 3.4         | 4.0 | 0                     | 0     | 0.2     | 3    | 0.6    | 1.3 | 1330LA04INA |
| 3/4  | 18           | 0.71  | 4.2         | 4.9 |                       |       |         |      | 0.6    | 1.3 | 1330LA06INA |
| <b>Normally open - Pilot operated</b>                          |              |       |             |     |                       |       |         |      |        |     |             |
| 1  | 26           | 1.02  | 12          | 14  | 0.001                 | 0.015 | 0.2     | 3    | 1      | 2.2 | 1330LA08NA  |
| 1 1/2  | 48           | 1.89  | 35          | 41  |                       |       |         |      | 1.8    | 4.0 | 2030LA12NA  |
| 2  | 51           | 2.00  | 43          | 50  |                       |       |         |      | 1.6    | 3.5 | 2030LA16NA  |
| <b>Normally open - Pilot operated - Reinforced diaphragm</b>   |              |       |             |     |                       |       |         |      |        |     |             |
| 1  | 26           | 1.02  | 12          | 14  | 0.01                  | 0.15  | 2       | 30   | 1      | 2.2 | 1330LAR08NA |
| 1 1/2  | 48           | 1.89  | 35          | 41  |                       |       |         |      | 1.8    | 4.0 | 2030LAR12NA |
| 2  | 51           | 2.00  | 43          | 50  |                       |       |         |      | 1.6    | 3.5 | 2030LAR16NA |

### General dimensions 1330 - 2030



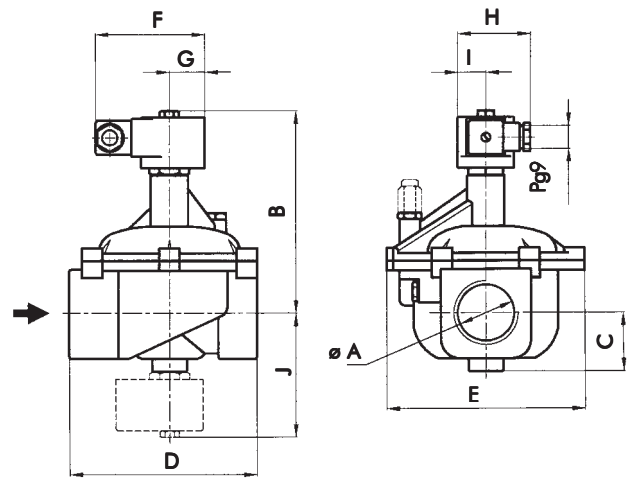
**DIRECT ACTING**

| øA     | B  | C  | D   | E   | F  | G  | H  | I  |
|--------|----|----|-----|-----|----|----|----|----|
| 1/2"   | 75 | 19 | 75  | 95  | 85 | 27 | 57 | 22 |
| 3/4"   |    |    |     |     |    |    |    |    |
| 1"     | 90 | 29 | 105 | 111 | 85 | 27 | 57 | 22 |
| 1.1/4" |    |    |     |     |    |    |    |    |

Measurements: mm

| øA     | B    | C    | D    | E    | F    | G    | H    | I    |
|--------|------|------|------|------|------|------|------|------|
| 1/2"   | 2.95 | 0.75 | 2.95 | 3.74 | 3.35 | 1.06 | 2.24 | 0.87 |
| 3/4"   |      |      |      |      |      |      |      |      |
| 1"     | 3.54 | 1.14 | 4.13 | 4.37 | 3.35 | 1.06 | 2.24 | 0.87 |
| 1.1/4" |      |      |      |      |      |      |      |      |

Measurements: ins.



**PILOT OPERATED**

| øA     | B   | C  | D   | E   | F  | G  | H  | I  | J  |
|--------|-----|----|-----|-----|----|----|----|----|----|
| 1"     | 131 | 22 | 157 | 124 | 85 | 27 | 57 | 22 | 74 |
| 1 1/2" | 158 | 46 | 148 | 154 | 85 | 27 | 57 | 22 | 98 |
| 2"     |     |    |     |     |    |    |    |    |    |

Measurements: mm

| øA     | B    | C    | D    | E    | F    | G    | H    | I    | J    |
|--------|------|------|------|------|------|------|------|------|------|
| 1"     | 5.16 | 0.87 | 6.18 | 4.88 | 3.35 | 1.06 | 2.24 | 0.87 | 2.91 |
| 1 1/2" | 6.22 | 1.81 | 5.83 | 6.06 | 3.35 | 1.06 | 2.24 | 0.87 | 3.86 |
| 2"     |      |      |      |      |      |      |      |      |      |

Measurements: ins.

### Coil characteristics

| Electric power supply | Coil type | Power W | VA (volt-ampere) |         | Maximum temperature |     | Available tensions |
|-----------------------|-----------|---------|------------------|---------|---------------------|-----|--------------------|
|                       |           |         | Inrush           | Holding | ° C                 | ° F |                    |
| AC 50 Hz              | MF11C     | 11      | 40               | 22      | 155                 | 311 | 1                  |
|                       | MH11C     | 11      | 40               | 22      | 180                 | 356 | 1                  |
| AC 60 Hz              | MF13C     | 13      | 45               | 27      | 155                 | 311 | 2                  |
|                       | MH13C     | 13      | 45               | 27      | 180                 | 356 | 2                  |
| D/C                   | MH19C     | 19      | 19               | 19      | 180                 | 356 | 3                  |

1-(12,24,110,220,240)V 2-(12,24,110,120,220,240)V 3-(12,24,110,220)V

### Applications

- Low and medium pressure gas combustion equipment.
- Low and medium pressure air or any other neutral gas.
- They comply with the resolutions, regulations and recommendations for the use of natural gas in industrial installations in Argentina.

| Options  | Prefix    | Suffix     | Examples           |
|--|-----------|------------|--------------------|
| Water, weather and saline corrosion proof coils. | <b>YC</b> |            | <b>YC2030LA12</b>  |
| Explosion and weather proof coils.               | <b>ZC</b> |            | <b>ZC2030LA12</b>  |
| Explosion and weather proof housing.             | <b>Z</b>  |            | <b>Z2030LA12</b>   |
| NPT connections                                  |           | <b>T</b>   | <b>2030LA12T</b>   |
| Closed valve verification (*)                    |           | <b>-I2</b> | <b>2030LA12-I2</b> |
| Energized coil indicator light                   |           | See coils. |                    |

(\*) Minimum dp 0.005 bar - 0.075 psi

### Recommendations for installation

Place a strainer upstream the valve with a porosity  $\leq 50\mu$ .  
Any position, preferably over horizontal pipeline with the coil upright.